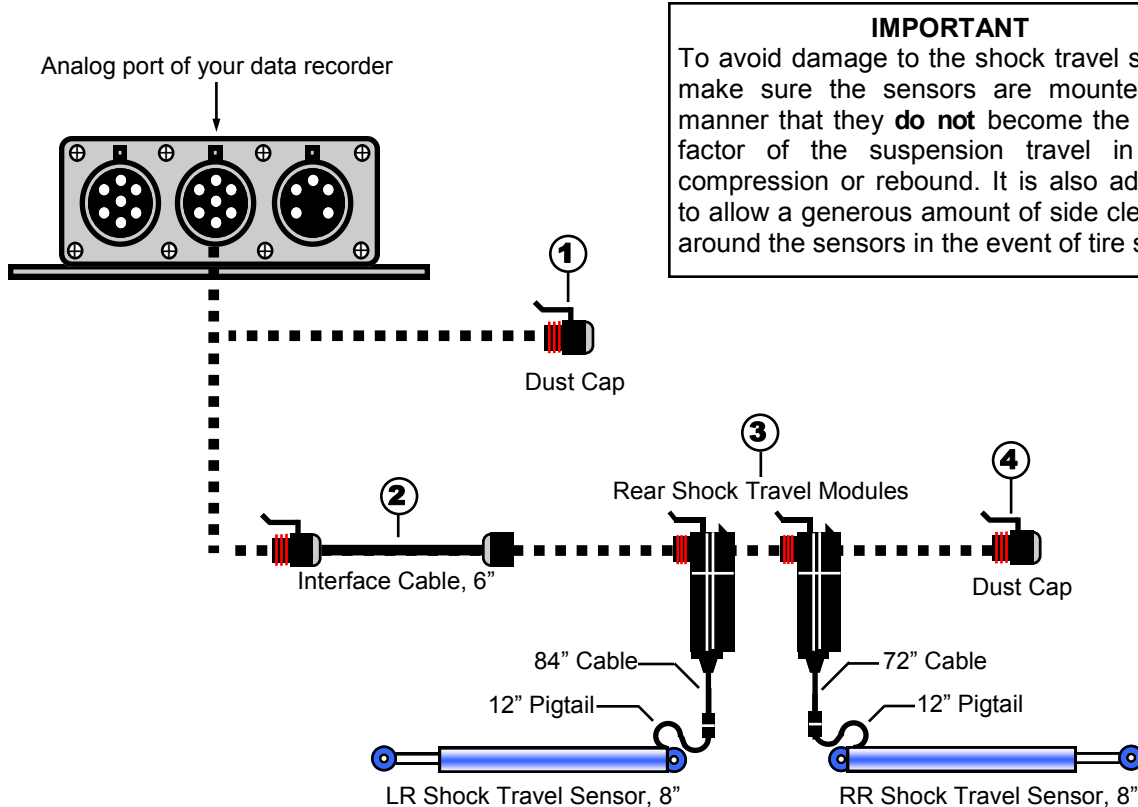




INSTALLING REAR SHOCK TRAVEL SENSORS

When adding rear shock travel sensors to your existing V300 or V500 data recorder the schematic below will help you visualize the layout of the system.



IMPORTANT

To avoid damage to the shock travel sensors make sure the sensors are mounted in a manner that they **do not** become the limiting factor of the suspension travel in either compression or rebound. It is also advisable to allow a generous amount of side clearance around the sensors in the event of tire shake.

Step 1: Remove the black dust cap that is covering the Analog port of your recorder. You will use this dust cap again as explained in Step 4.

Step 2: Replace the dust cap with the 6" Interface Cable.

Step 3: Connect the black modules that are attached to the two shock sensors to each other. Then plug the modules to the 6" Interface cable.

Step 4: Plug the dust cap that was removed from the data recorder to the open end of the shock modules.

The installation of the components onto the data acquisition system is now complete. You must now program the DataLink software to recognize the new additions. Instructions for doing this are contained in both the shock travel kit and the data recorder instruction manual. When adding sensors to your V300 or V500 recorder you will be assigning your shock travel sensors to the following channel buttons:

Analog Input #1
Analog Input #2

Right Rear Shock Sensor
Left Rear Shock Sensor

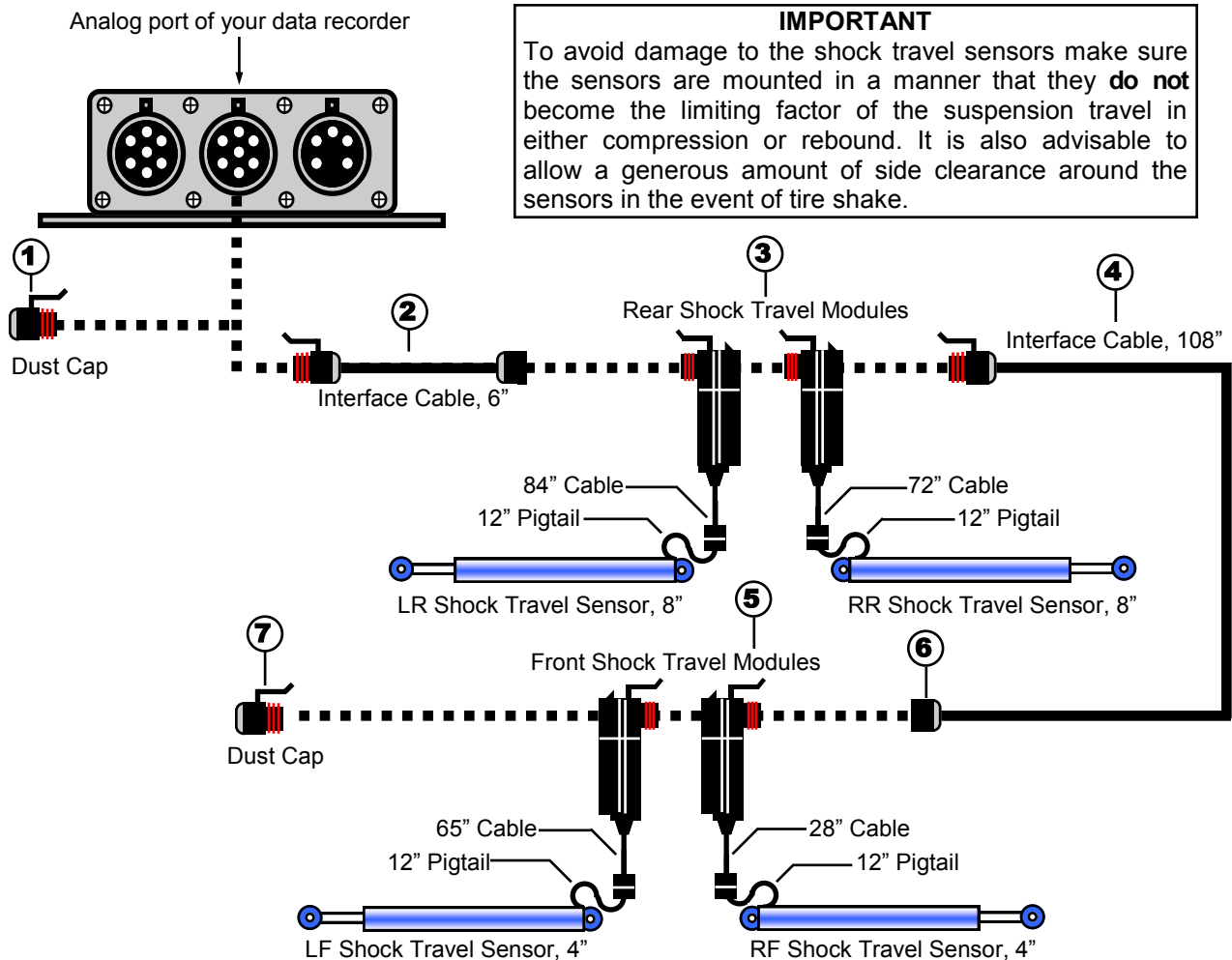
Racepak LLC
949-709-5555

30402 Esperanza Rancho Santa Margarita, CA 92688
Fax: 949-709-5556 www.racepak.com



INSTALLING SHOCK TRAVEL SENSORS ON ALL FOUR WHEELS

When adding four shock travel sensors to your existing V300 or V500 data recorder the schematic below will help you visualize the layout of the system.



Step 1 thru 3: Follow steps 1-3 as outlined on the opposite side of this instruction sheet.

Step 4: Attach the 108" Interface cable to the open connector end of the clustered rear shock modules .

Step 5: Connect the black modules for the two front shock sensors to each other.

Step 6: Route the 108" Interface cable to the front of the car and plug it into the two clustered shock modules.

Step 7: Attach the Dust Cap that was removed from the data recorder to the open connector on the opposite side of the front shock sensor modules.

The installation of the components onto the data acquisition system is now complete. You must now program the DataLink software to recognize the new additions. Instructions for doing this are contained in both the shock travel kit and the data recorder instruction manual. When adding sensors to your V300 or V500 recorder you will be assigning your shock travel sensors to the following channel buttons:

Analog Input #1/ Right Rear Shock Sensor

Analog Input #3 / Right Front Shock Sensor