

Figure 24

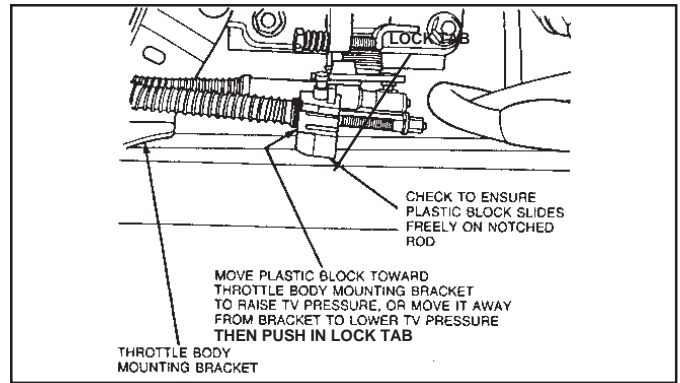


Figure 28

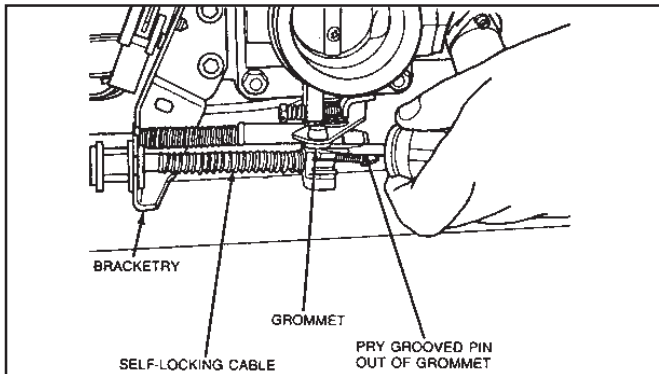


Figure 25

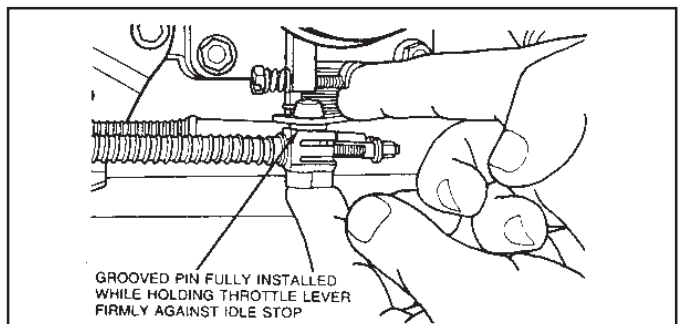


Figure 29

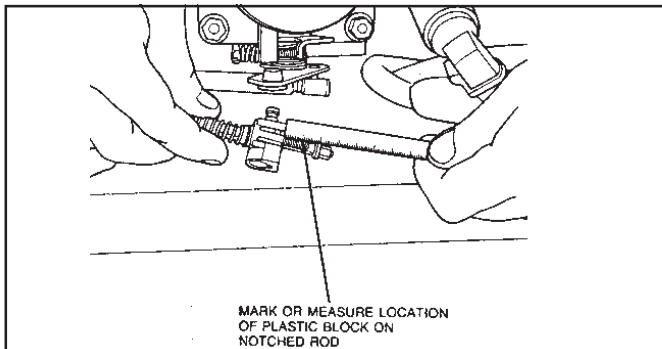


Figure 26

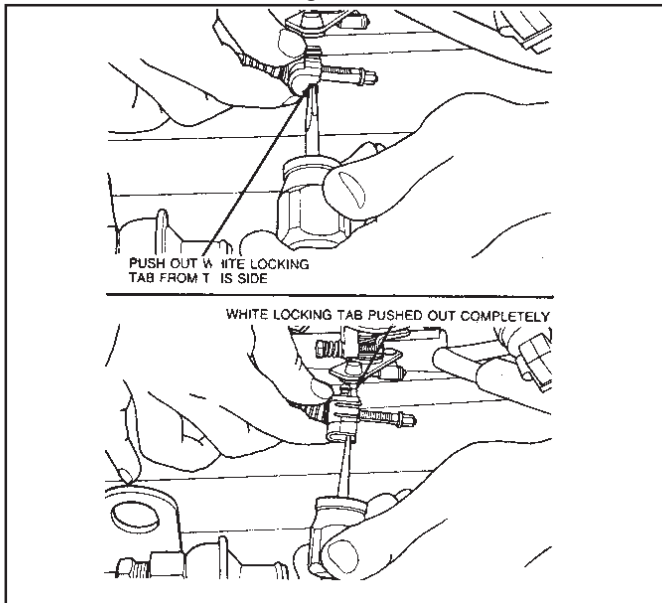


Figure 27

**PARTS LIST**

Spring, Red	Pressure regulator	1
Spring, Green	1-2 capacity modulator valve	1
Spring, Yellow	1-2 capacity modulator valve	1
Spring, blue	2-3 accumulator	1
Spacer	2-3 accumulator	1
Seal ring	2-3 accumulator	1
Seal ring	2-3 accumulator	1
Drill	1/8" (.125)	1
Drill	3/32" (.094)	1
Alignment pin	M6 X 40mm	2
Screw	M4 X .7 X 10mm	1
Nut	M6 hex	2
Gasket	Plate to case	1
Gasket	Plate to valve body	1
Gasket	Oil pan	1
Gasket	Oil filter	1

**TOOL LIST**

Hydraulic jack	8mm, 10mm, 13 mm, Sockets
Gasket scraper	Wet or Dry sand paper
Jack stands or Wheel ramps	Grease or petroleum jelly
3/8" Drill motor	Needle nose pliers
Oil drain pan	Torque wrench
Fine cut flat file	Small flat screwdriver
3/8" drive ratchet wrench	Funnel
3/8" drive, 4" extension	